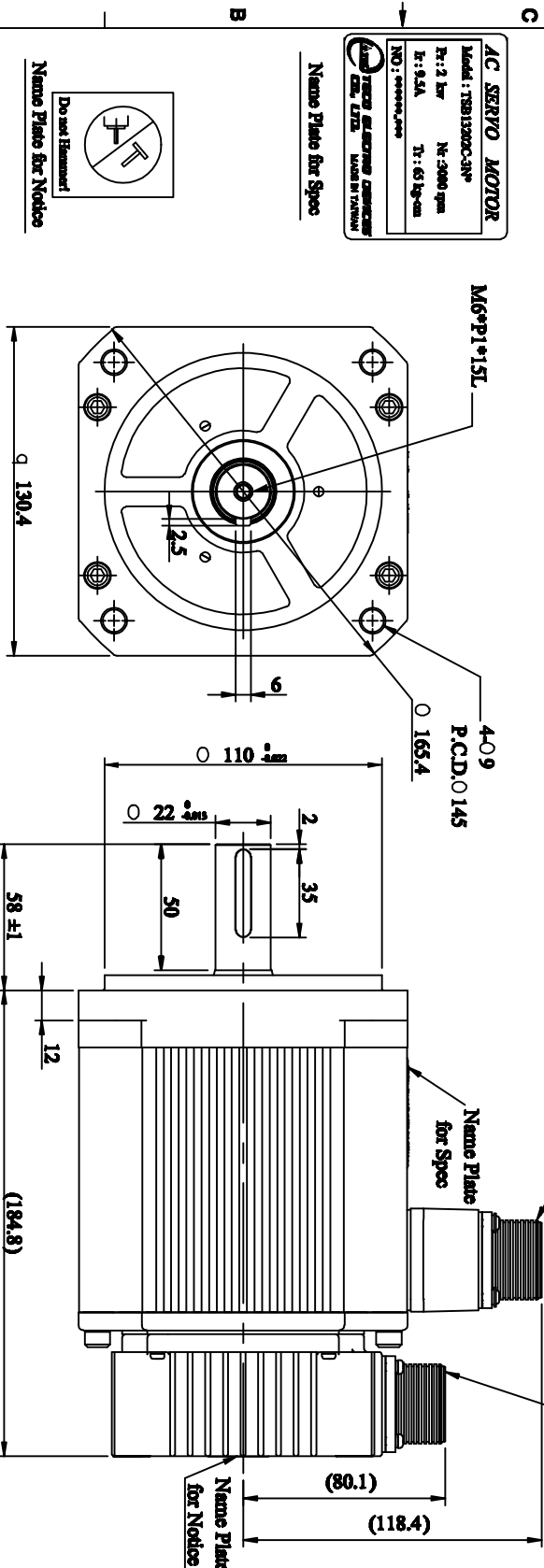


Model: TSB13202C-3N*

No.	Item	Symbol	Unit	Specification	No.	Item	Symbol	Unit	Specification
1	Drive	-	-	220VAC	13	Rotor Inertia	J-M	kg-cm ²	8.88 ±5%
2	Cooling Method	-	-	Totally Enclosed	14	Rated Power Rate	Q-R	Kw/s	47.36
3	Exciting Method	-	-	Permanent Magnet	15	Resistance	Ra	Ω	0.4±10%/2 φ
4	Resolution	-	-	NOTED	16	Inductance	L	mH	2.4±10%/2 φ
5	Rated Output	P-R	W	2KW	17	Mech. Time Constant	Tm	ms	0.97±10%/2 φ
6	Rated Torque	T-R	N-m	6.37	18	Elect. Time Constant	Te	ms	6±10%
7	Max. Torque	T-max	N-m	19.11	19	Insulation Class	-	-	Class B
8	Rated Speed	N-R	rpm	3000	20	Operation Temp.	T	°C	0~40
9	Rated Current	I-R	A	9.5	21	Operation Humd.	RH	%	<90
10	Max. Current	I-max	A	28.5	22	Storage Temp.	T	°C	-20~60°
11	Torque Constant	Kt	N-m/A	0.74±10%	23	Storage Humd.	RH	%	<90
12	Back emf (at 1800rpm)	Vemf	Volts	80.44±10%/2 φ	24	Weight	W	kgw	8.08

Notes:
1. Motor to be IP67
(excluding the shaft opening & connectors)
2. Encoder TYPE: 2500ppr, 8192ppr
17bit , 15bit



STANDARD TOLERANCE	APVD	SCALE	2/5	UNIT	m	m	NAME	Servo Motor Outline Drawing
X ±0.5	CHKD	3RD	A.P				TSB13202C-3N*	
X ±0.2	CHKD							
XX ±0.05	DWN							
ANGLE ±30°								
MATERIAL								
REV/DESCRIPTION	SIGNATURE	DATE						

Dept. Design DWG. NO. DTSB13202C3N*